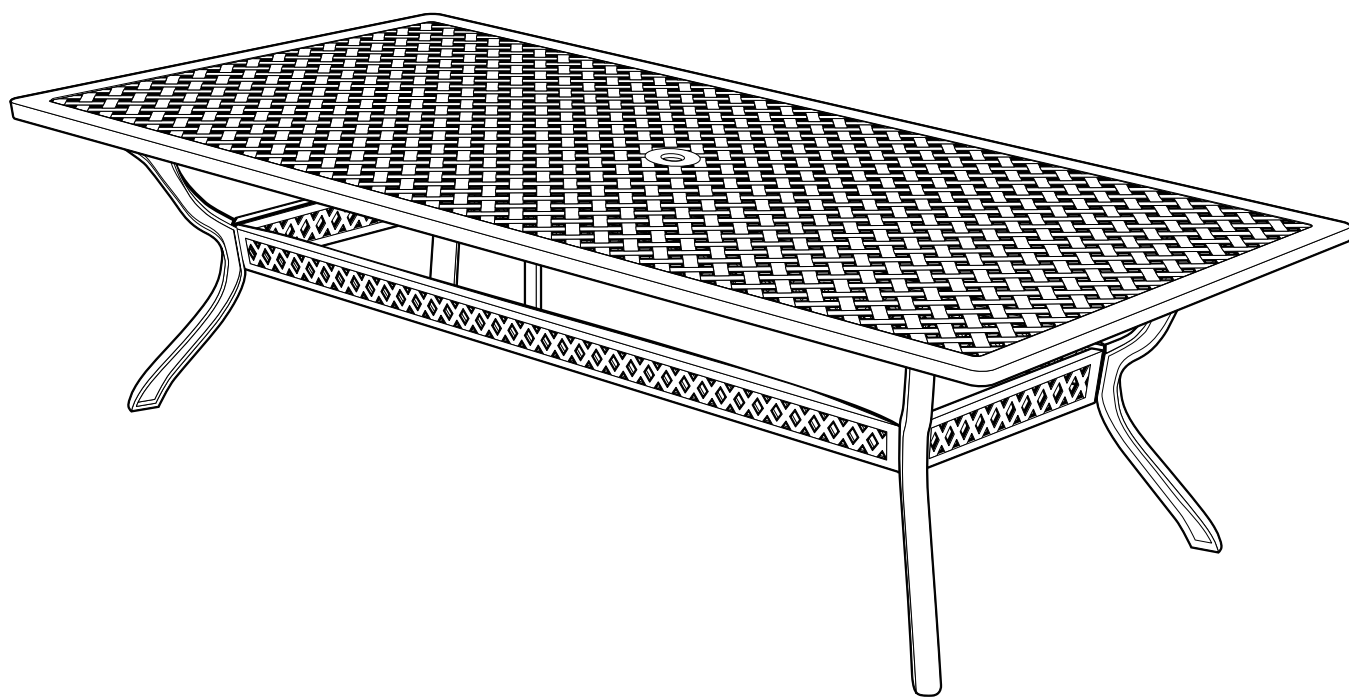
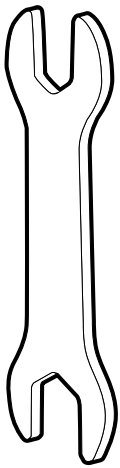


MADISON

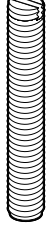


A-1-MAD260CM-TBL-WH

Lazy Susan

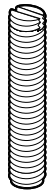


A-M8-45MM-BOLT



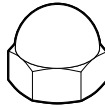
8x

A-M8-35MM-BOLT



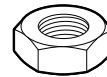
12x

A-M8-NUT-CAP-WH



20x

A-M8-NUT



20x

A-M8-WASHER



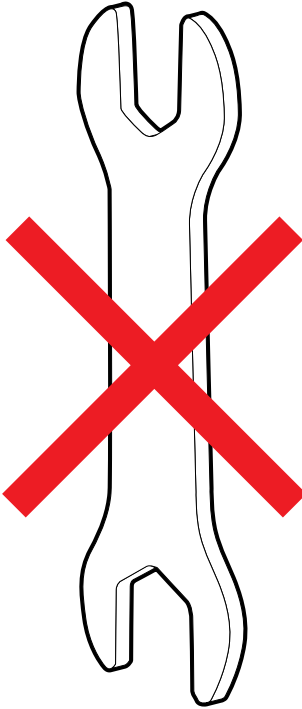
20x

A-M8-SPRING-WASH

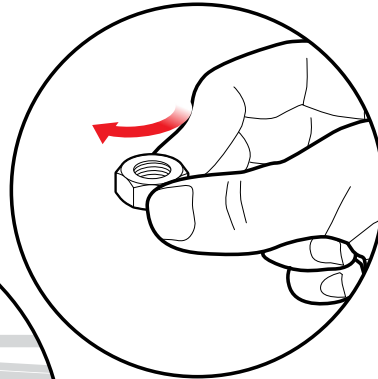
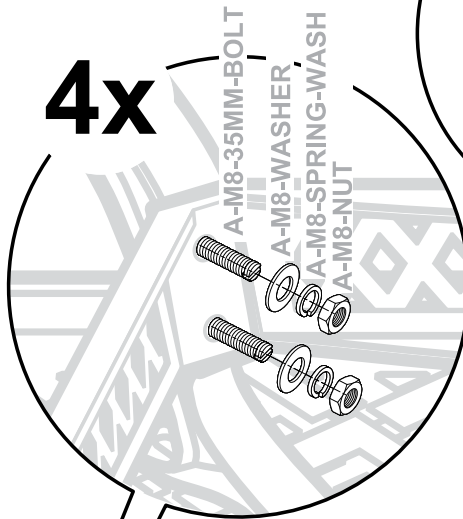


20x

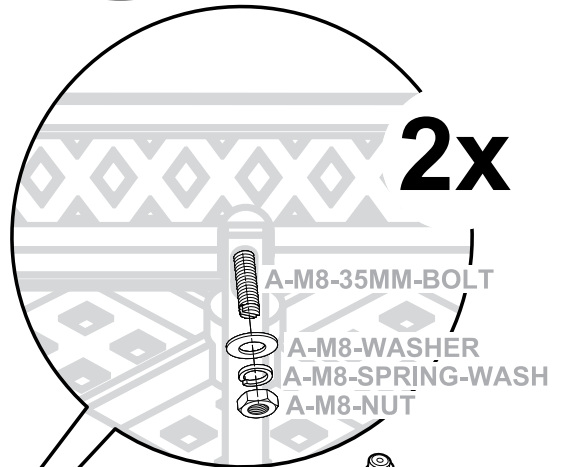
1



4x



2x



A-RE-LG-01-WH

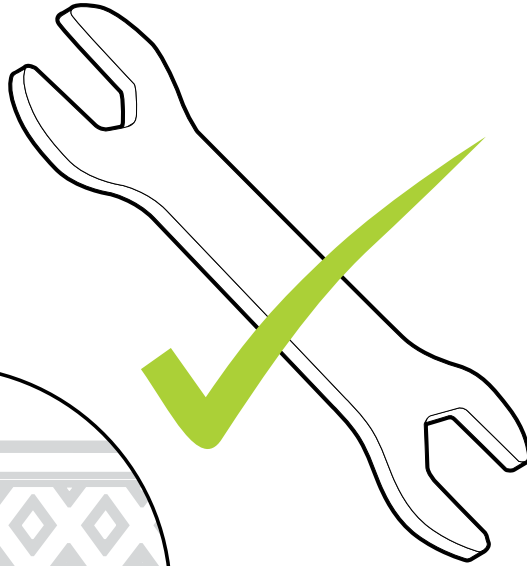
A-M8-TABLE-FEET

A-RE-US-01-WH

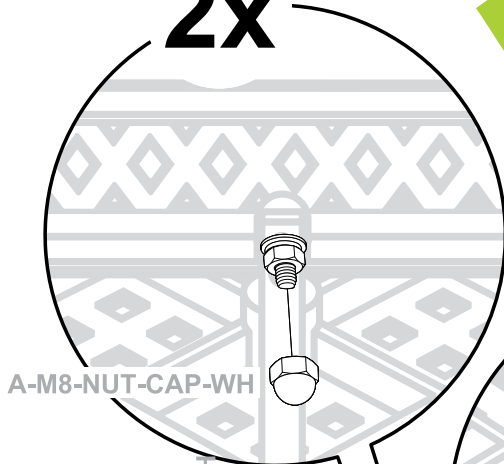
A-RE-US-03-WH

A-MAD-TBL-SUPP-ARM-WH

2

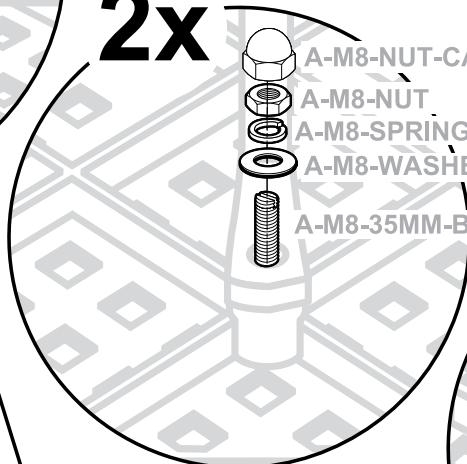


2x



A-M8-NUT-CAP-WH

2x



A-M8-NUT-CAP-WH

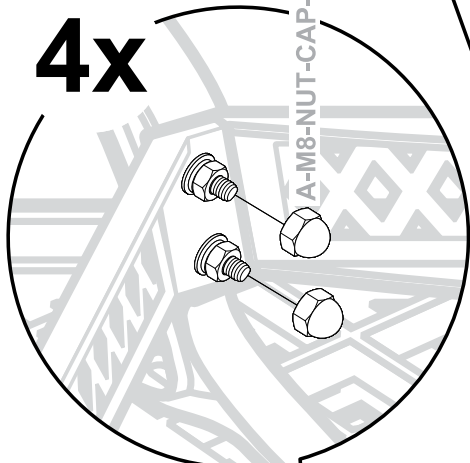
A-M8-NUT

A-M8-SPRING-WASH

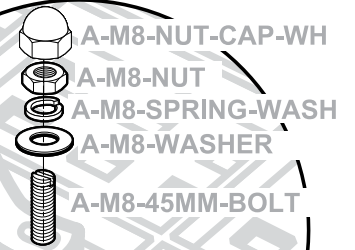
A-M8-WASHER

A-M8-35MM-BOLT

4x



A-M8-NUT-CAP-WH



A-M8-NUT-CAP-WH

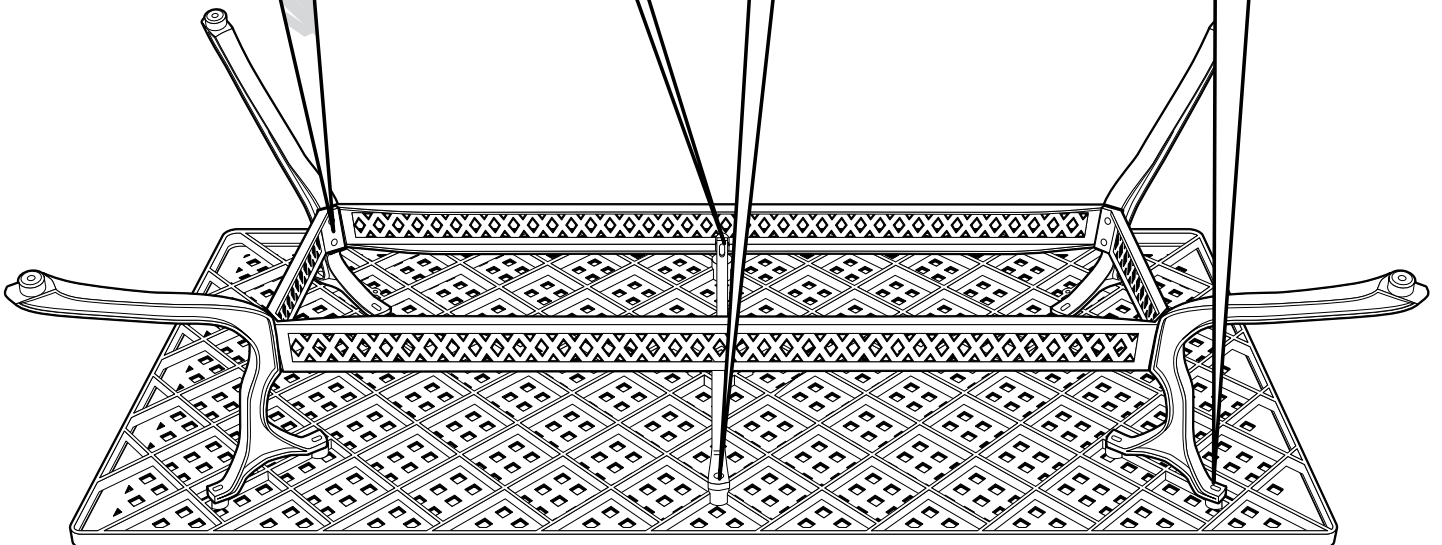
A-M8-NUT

A-M8-SPRING-WASH

A-M8-WASHER

A-M8-45MM-BOLT

8x



A-RE-TT-02-WH

Lazy Susan

